

MegaFixed Installation

This quick start guide gives the basic steps for installing the AW12 MegaFixed unit in fixed locations.

1 Ensure you have all the necessary equipment

The following contents are included:

- AW12-DE modem
- AW12-PC-EI USB to Ethernet converter
- Mounting bracket
- (2) M6 screws and (2) M6 lock washers
- (4) M3 screws and (4) M3 lock washers
- SIM extractor tool
- Ethernet cable
- USB screwtight cable
- DC power cable (4-pin Molex)
- DC power cable (modem to Ethernet converter)
- AC adapter

You will also need the following (not included in your kit):

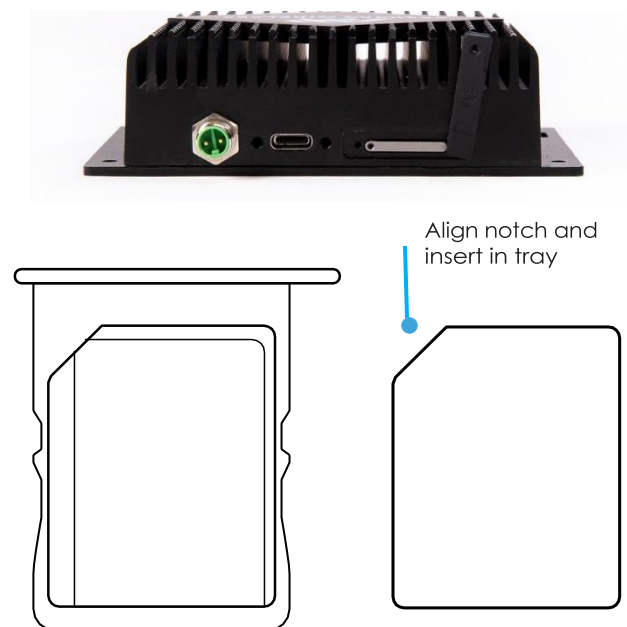
- GPS active/passive antenna
- (3) LTE antennas
- Activated FirstNet micro SIM card
- Small Phillips head screwdriver

Note. The antennas can be purchased as separate units or as a single package. See our recommended antennas at assured-wireless.com/products/antennas.

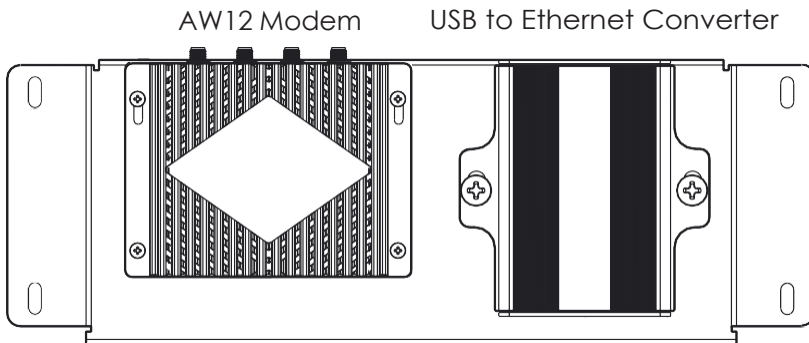
2 Insert SIM card

Note. Your Distributor may have already inserted the SIM. If so, please skip to section 3.

- 1 Locate the SIM card slot on the side of the AW12 modem.
- 2 Remove the screw on the SIM slot door.
- 3 Use the depression on the upper left corner of the SIM slot door to open the door off. You should now see the edge of the silver SIM tray.
- 4 Insert the included SIM extractor tool into the hole on the SIM tray; the tray should pop partway out.
- 5 Remove the SIM tray completely.
- 6 Insert your activated FirstNet SIM into the tray. Note that the tray is notched, so the card can only be inserted the correct way.
- 7 Re-insert the SIM tray into its slot.
- 8 Replace the SIM slot door and replace the screw, being careful not to overtighten.



3 Mount modem and Ethernet converter on bracket



- 1 Use the included M6 screws and washers and a Phillips #2 screwdriver to mount the modem to the mounting bracket. (Put the antenna ports to the edge as shown.)
- 2 Use the included M3 screws and washers to mount the USB to Ethernet converter to the mounting bracket. (Put the side with the ethernet port to the same edge as the modem antenna ports.)

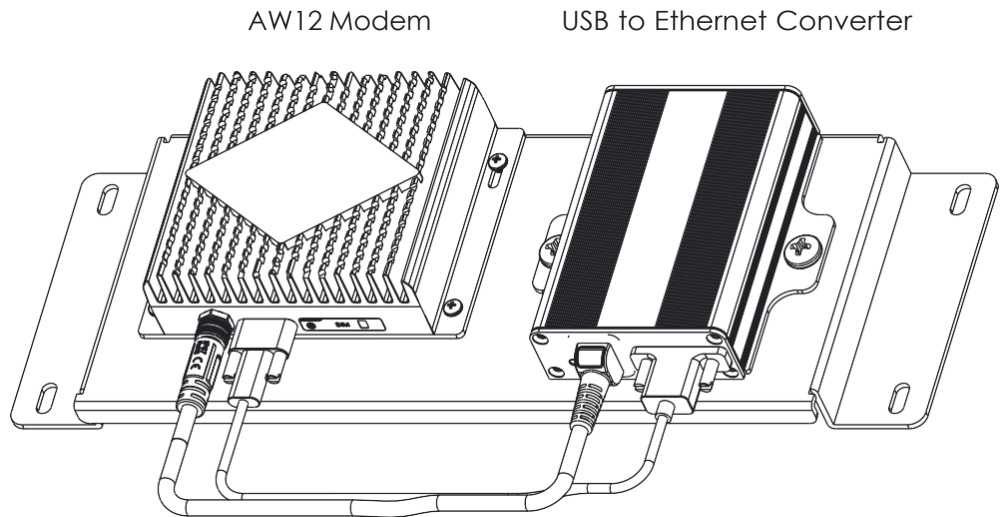
4 Connect power and communication between modules

Connect the USB-C to USB-A cable between the modem and the USB to Ethernet converter:

- 1 Insert the USB-C connector into the port labeled **USB** on the modem and tighten the thumb screws. Be careful not to overtighten.
- 2 Insert the USB-A end of the cable into the port on the USB to Ethernet converter labeled **Modem** and tighten the thumb screw.

Connect the short power cable:

- 1 Find the end of cable with the light green color connector. Insert it into the port labeled **PWR IN** on the modem. Twist to tighten.
- 2 Insert the other end of the cable into the port on the USB to Ethernet converter labeled **PWR OUT**.



5 Mount bracket in desired location

Install the bracket in your desired location with the proper hardware; mount securely close to the power source. Where and how you install the bracket will vary based on your location.

6 Install antennas

- 1 Install the antennas by screwing on the SMA connectors from the antenna onto the housing of the AW12 modem. If you are using traditional paddle antennas (like those on a wifi access point), locate the MegaFixed unit by a window or other location that will more easily see the cell tower. If you are using panel type or outdoor antennas, then locate the antenna so it is free of obstructions that could block the signal and position one meter from other antennas.
- 2 Connect the ends of the antennas into the RF ports on the modem.

Note. See our antenna recommendations at assured-wireless.com/products/antennas.

7 Connect power and Ethernet cables

- 1 Locate the AC adapter power cable. Insert the Molex connector into the port labeled **PWR IN** on the side of the USB to Ethernet converter, and then plug into an AC power outlet.
- 2 If using PoE power, insert the ethernet cable into the RJ-45 port labeled **PoE+** on the USB to Ethernet converter and then connect the ethernet cable to the WAN port on your router.
- 3 Refer to your router user manual for router configuration. Please make sure the MTU size setting in your router is 1342 or as otherwise advised at <https://iotdevices.att.com/att-iot/FirstNetMTU.aspx>.

